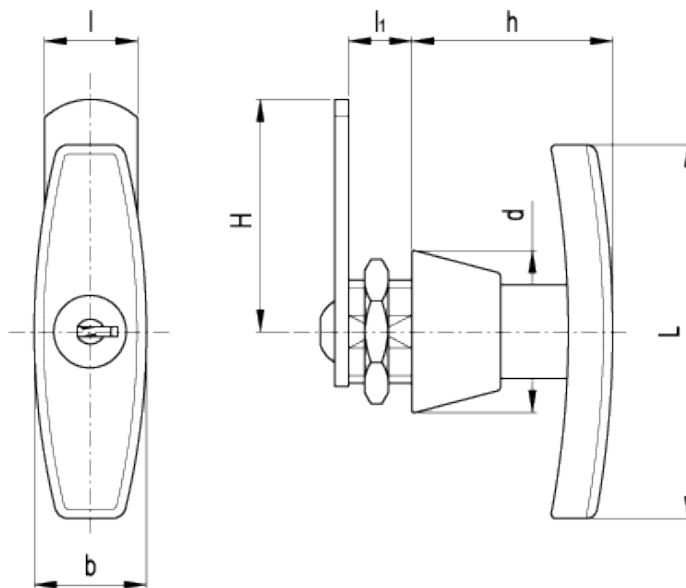


CSMT.

Latch-type handles with lock



technical informations

Handle and stator

Glass-fibre reinforced polyamide based (PA) technopolymer. Resistant to solvents, oils, greases and other chemical agents.

Rotor

Chrome-plated zinc alloy.

Front plate

Stainless steel.

Nut

Technopolymer (M22x1.5).

Flat closing lever

Zinc-plated steel, thickness 3 mm.

Retaining washer

NBR rubber.

Self-tapping screw

Zinc-plated steel.

Two keys

Nickel-plated brass, removable in two positions at 180°.

Rotation

90° right.

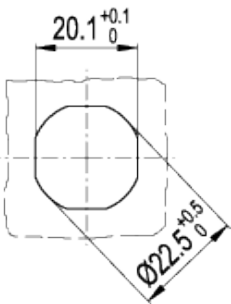
Standard executions available

- CSMT.: lock with 400 different combinations. Each lock has a key with different combination.
- CSMTU.: lock with one combination. All locks have a key with the same combination.

Special executions on request (For sufficient quantities)

Closing levers in other dimensions.

Drilling template



Standard Elements		Main dimensions							Weight
Code	Description	H	L	b	h	d	l	l ₁	g
421521	CSMT.50	50	80	24	43	37	20	13.5	107
421523	CSMTU.50	50	80	24	43	37	20	13.5	107



ELESA and GANTER models all rights reserved in accordance with the law. Always mention the source when reproducing our drawings.

STANDARD MACHINE ELEMENTS WORLDWIDE